

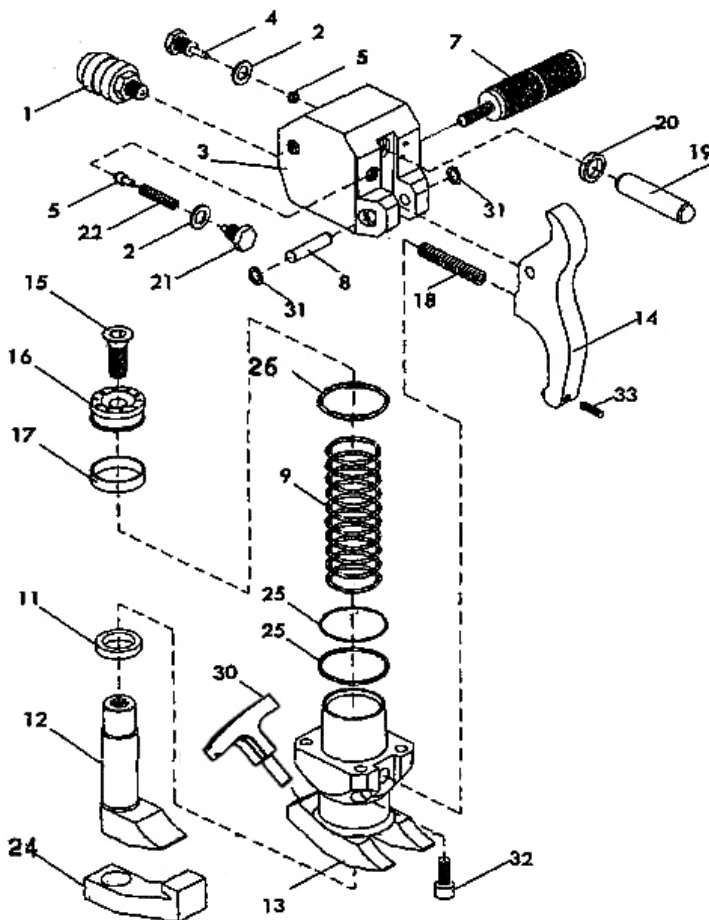
253S - HYDRAULIC BEAD BREAKER



Bead Breakers are expertly engineered and manufactured in Italy by our dedicated team of in-house experts. They are world-renowned for their long-life span, durability, and unrivalled performance.

TECHNICAL DATA

Category:	Bead Beakers
Power:	6150kg
Weight:	4.8 kg
Clamping Force:	760 - 1780 kg
Operating Pressure:	700 bar
Piston Stroke:	4 cm
Dimensions:	17 x 17 x 17 cm
Application:	Jeep, 4x4, Car, Tractor (< 70hp)



TYRE CARE LTD

Killeshandra, Co. Cavan, Ireland, H12V309 • Tel. +353 49 433 4486

sales@tyrecare.ie | tyrecarelimited | www.tyrecare.ie

