



HYDRAULIC JACKS



DK20HLQ



Capacity: 2,0 t
Max. height: 795 mm

High lifting jack ideal for SUVs and vans

Very low minimum height of only 80 mm

Wide and robust frame made of high-strength steel

Fitted with quick-lift pedal for easy reach of lifting point

Precise and safe control whilst lowering

Manual dead man's release for optimum safety when lowering

Built-in safety overload valve

Noiseless wheels incorporating a polyurethane central O ring offers maximum surface protection

Ergonomically designed handle ensuring positive and safe operation



DK50HLQ



Capacity: 5,0 t
Max. height: 975 mm

High lifting jack for trucks, agricultural machinery & contractors' machines

Low minimum height of only 140 mm

Can be fitted with pneumatic tyres for easy manoeuvring (option)

Wide and robust frame made of high-strength steel

Fitted with quick-lift pedal for easy reach of lifting point

Precise and safe control whilst lowering

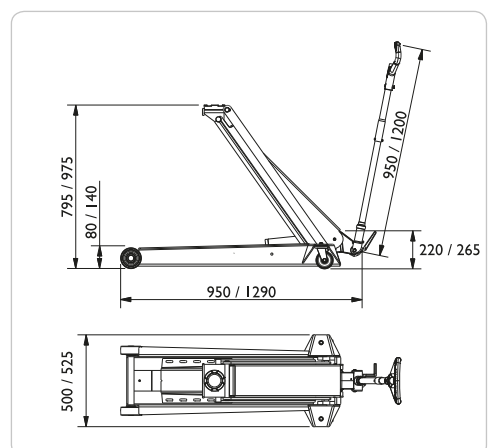
Manual dead man's release for optimum safety when lowering

Built-in safety overload valve

Ergonomically designed handle ensuring positive and safe operation



	DK20HLQ	DK50HLQ
Capacity	2,0 t	5,0 t
Min. height	80 mm	140 mm
Max. height	795 mm	975 mm
Frame length	950 mm	1290 mm
Handle length	950 mm	1200 mm
Frame height	220 mm	265 mm
Width	500 mm	525 mm
Weight	49 kg	170 kg



TYRE CARE LTD

Killeshandra, Co. Cavan, Ireland • Tel. +353 49 433 4486
sales@tyrecare.ie • www.tyrecare.ie